



NAC

NEO ALUMINUM CARGO

STANDARD FEATURES

- ALL ALUMINUM
- BONDED EXTERIOR SKIN
- SEAMLESS ROOF, 16" ON CENTER
- EXTRUDED ROUND TOP COVE
- INTEGRATED TUBE FRAME CHASSIS
- TRIPLE TUBE TONGUE, TOP CRANK JACK
- 24" ATP STONEGUARD
- RADIAL TIRES 205 75 R15, SILVER MOD WHEELS
- LED LIGHTING, 2 INTERIOR DOMES
- FLUSHLOCK CURBSIDE DOOR - 32"
- CAST ALUMINUM HOLDBACK(SIDE DOOR)
- EXTERIOR GRADE PLYWOOD FLOOR 3/4"
- SELF ADJUSTING BRAKES, EZ LUBE HUBS
- 16" ON CENTER WALLS
- 24" ON CENTER FLOOR
- PROPRIETARY BULL NOSE
- 3/8" PLYWOOD WALLS
- 3500# SPRUNG AXLES
- SELF ADJUSTING ELECTRIC BRAKES
- DOUBLE REAR SWING DOORS



| Model | Rear Door Height | Axles | Side Door | Coupler | Tongue Ht |
|-----------|------------------|---------|-----------|---------|-----------|
| NAC126 | 67.25" | 2-3500# | 32" | 2-5/16" | 17" |
| NAC126-6 | 73.25" | 2-3500# | 32" | 2-5/16" | 17" |
| NAC126-12 | 79.25" | 2-3500# | 32" | 2-5/16" | 17" |
| NAC127 | 73.25" | 2-3500# | 32" | 2-5/16" | 17" |
| NAC127-6 | 79.25" | 2-3500# | 32" | 2-5/16" | 17" |
| NAC127-12 | 85.25" | 2-3500# | 32" | 2-5/16" | 17" |
| NAC147 | 73.25" | 2-3500# | 32" | 2-5/16" | 17" |
| NAC147-6 | 79.25" | 2-3500# | 32" | 2-5/16" | 17" |
| NAC147-12 | 85.25" | 2-3500# | 32" | 2-5/16" | 17" |
| NAC167 | 73.25" | 2-3500# | 32" | 2-5/16" | 17" |
| NAC167-6 | 79.25" | 2-3500# | 32" | 2-5/16" | 17" |
| NAC167-12 | 85.25" | 2-3500# | 32" | 2-5/16" | 17" |
| NAC187 | 73.25" | 2-3500# | 32" | 2-5/16" | 17" |
| NAC187-6 | 79.25" | 2-3500# | 32" | 2-5/16" | 17" |
| NAC187-12 | 85.25" | 2-3500# | 32" | 2-5/16" | 17" |
| NAC207 | 73.25" | 2-3500# | 32" | 2-5/16" | 17" |
| NAC207-6 | 79.25" | 2-3500# | 32" | 2-5/16" | 17" |
| NAC207-12 | 85.25" | 2-3500# | 32" | 2-5/16" | 17" |



PRICE AND SPECIFICATIONS SUBJECT TO CHANGE WITHOUT NOTICE
 OPTIONS ADDED TO BASE UNITS DECREASE PAYLOAD CAPACITY

NAC-4
 5.24.22



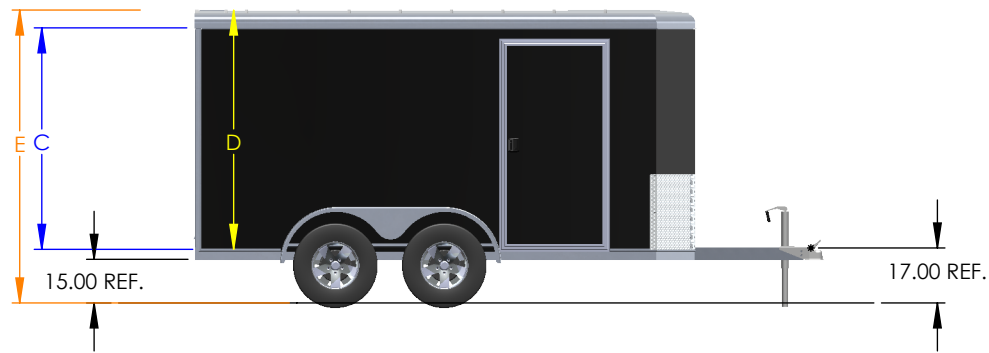
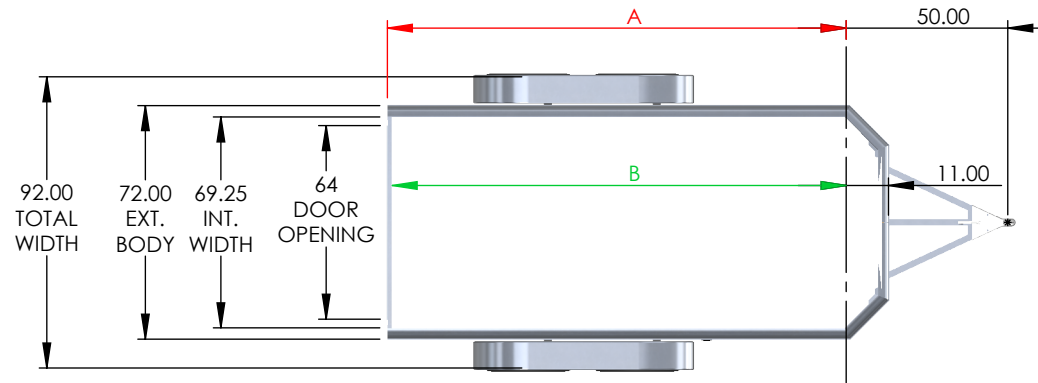
For Additional Specs & Photos, go to:

neomfg.com

e-mail: sales@neomfg.com

21900 US 12 Sturgis, MI 49091
 269.503.7630

| MODEL | OUTSIDE BOX LENGTH (A) | INSIDE BOX LENGTH (B) |
|----------|---------------------------|--------------------------|
| NAC126TR | 144" | 142" |



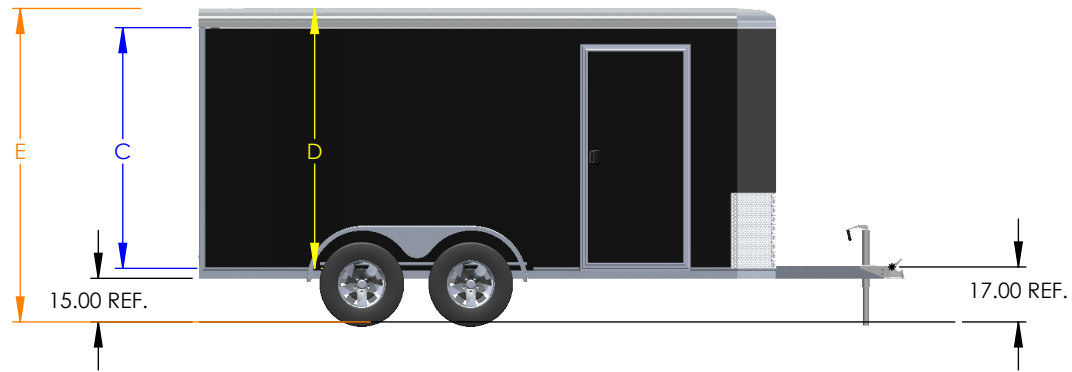
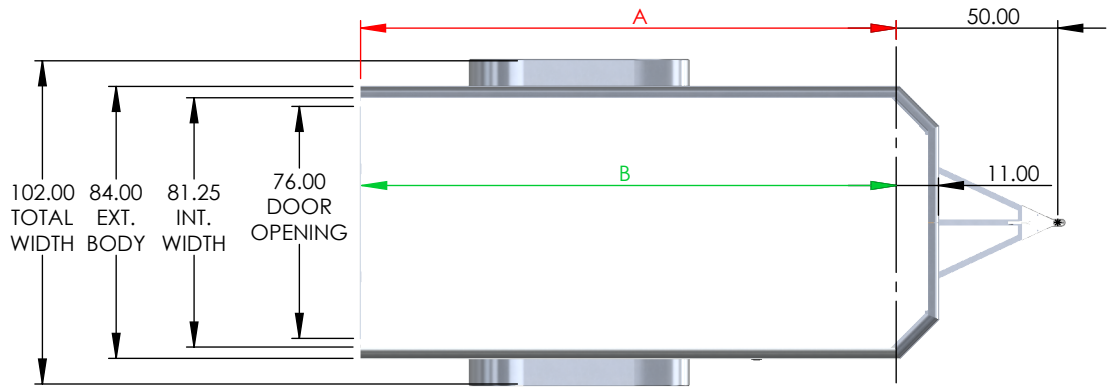
| 6 WIDE ROUND TOP | Rear Door Hgt (C) | Int Hgt @ Center (D) | Overall Hgt (E) |
|------------------|----------------------|-------------------------|--------------------|
| STD Height | 67.25" | 72.50" | 93.00" |
| 6" Plus Height | 73.25" | 78.50" | 99.00" |
| 12" Plus Height | 79.25" | 84.50" | 105.00" |



| | |
|------------------------------|-------------------|
| DRAWN BY TYLER A BOURASSA | DATE 4/28/2020 |
|------------------------------|-------------------|

| | |
|----------------------|---------------------------|
| TRAILER MODEL: | NACR 6 WIDE |
| TITLE: | TRAILER DIMENSIONS |
| DO NOT SCALE DRAWING | |

| MODEL | OUTSIDE BOX LENGTH (A) | INSIDE BOX LENGTH (B) |
|----------|---------------------------|--------------------------|
| NAC127TR | 144" | 142" |
| NAC147TR | 168" | 166" |
| NAC167TR | 192" | 190" |
| NAC187TR | 216" | 214" |
| NAC207TR | 240" | 238" |



| 7 WIDE ROUND TOP | Rear Door Hgt (C) | Int Hgt @ Center (D) | Overall Hgt (E) |
|------------------|----------------------|-------------------------|--------------------|
| STD Height | 73.25" | 78.50" | 99.00" |
| 6" Plus Height | 79.25" | 84.50" | 105.00" |
| 12" Plus Height | 85.25" | 90.50" | 111.00" |

DRAWN BY: TYLER A BOURASSA
DATE: 4/28/2020

TRAILER MODEL: NACR 7 WIDE

TITLE: **TRAILER DIMENSIONS**

DO NOT SCALE DRAWING