



NASX

Neo All Sport X

STANDARD FEATURES

- ALL ALUMINUM, 7.5' WIDE
- BONDED EXTERIOR SKIN
- SEAMLESS ROOF, 16" ON CENTER
- EXTRUDED ROUND TOP COVE
- INTEGRATED TUBE FRAME CHASSIS
- TRIPLE TUBE TONGUE, TOP CRANK JACK
- DUAL NXP RAMP DOORS, S.S. CAM LATCH
- MTEC CABLELESS RAMP SYSTEM
- 24" ATP STONEGUARD
- RADIAL TIRES 205 75 R15, SILVER MOD WHEELS
- LED LIGHTING, 2 INTERIOR DOMES
- 32" FLUSH LOCK CURBSIDE DOOR
- CAST ALUMINUM HOLDBACK(SIDE DOOR)
- 3/4" MARINE DECK PLYWOOD FLOOR
- 3/4" MARINE DECK KICK, BARE WALLS
- PROEDGE, TAPERED RAMP DOOR EDGE
- ALUMINUM GRAB HANDLE, RAMP DOORS
- 16" ON CENTER WALLS
- 24" OC FLOOR TANDEM/SPREAD
- 16" OC FLOOR(TRIPLE AXLE)
- PROPRIETARY V-NOSE, A-FRAME, 2 5/16" BALL
- SELF ADJUSTING BRAKES, EZ LUBE HUBS
- 3500# DEXTER TORSION BRAKE AXLES
- GVWR; 7000# TANDEM/SPREAD, 9990# TRIPLE

PRICE AND SPECIFICATIONS SUBJECT TO CHANGE WITHOUT NOTICE
 OPTIONS ADDED TO BASE UNITS DECREASE PAYLOAD CAPACITY

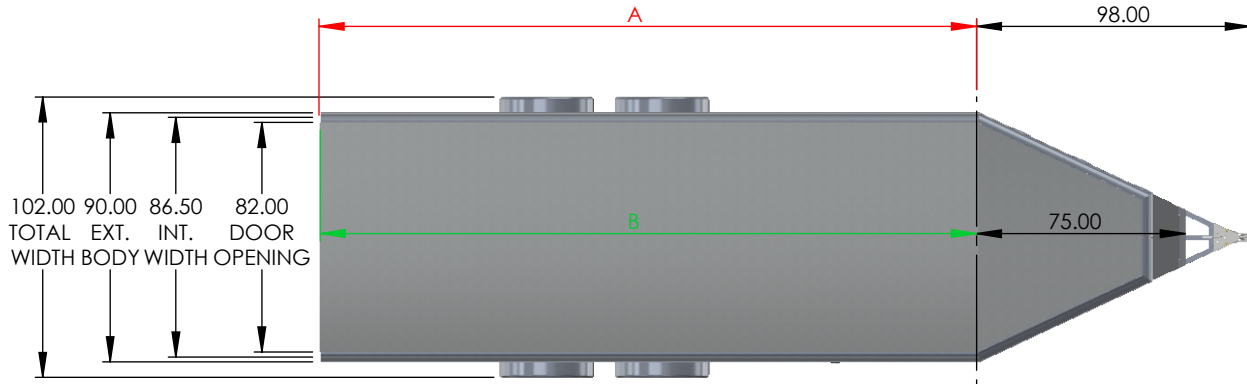
NASX-7
9.21.22



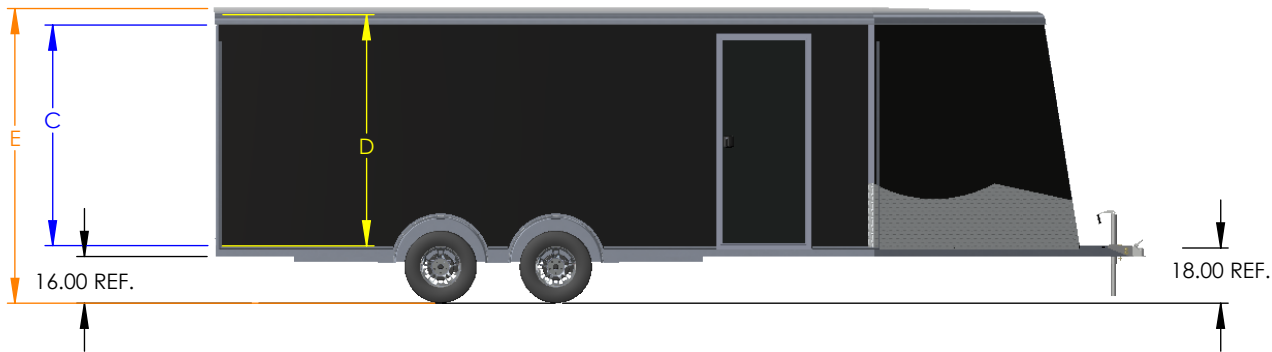
For Additional Specs & Photos, go to:
neomfg.com

e-mail: sales@neomfg.com
 21900 US 12 Sturgis, MI 49091
 269.503.7630


DISTANCE BETWEEN WHEEL WELLS IS 82"



Model		Outside Box Length (A)	Inside Box Length (B)
NASX1975TR	TANDEM AXLE	168"	166"
NASX2175TR		192"	190"
NASX2375TR		216"	214"
NASX2575TR	TANDEM	240"	238"
NASX2775TR	SPREAD	264"	262"
NASX2975TR	AXLE	288"	286"
NASX3075TR	TRIPLE AXLE	300"	298"
NASX3275TR		324"	322"
NASX3475TR		348"	346"



NASX7.5 Round Top	Rear Door Hgt (C)	Front Door Hgt	Front Door Width	Int Hgt @ Center (D)	Overall Hgt (E)
STD Height	73.25"	69.25"	74.00"	78.50"	99.25"
6" Plus Height	79.25"	75.25"	74.00"	84.50"	105.25"
12" Plus Height	85.25"	81.25"	74.00"	90.50"	111.25"



NEO

DRAWN BY: TYLER A BOURASSA
DATE: 6/11/2019

TRAILER MODEL:	NASX
TITLE:	TRAILER MEASUREMENTS
DO NOT SCALE DRAWING	