



NEO HEAVY DUTY

STANDARD FEATURES

- ALL ALUMINUM, 7.5' WIDE
- BONDED EXTERIOR SKIN
- SEAMLESS ROOF, 16" ON CENTER
- EXTRUDED ROUND TOP COVE
- WOLVERINE NOSE, A-FRAME TONGUE, 2 5/16"
- INTEGRATED TUBE FRAME CHASSIS
- TRIPLE TUBE TONGUE, TOP CRANK JACK
- NXP RAMP DOOR, S.S. CAM LATCH
- MTEC CABLELESS RAMP SYSTEM
- PROEDGE, TAPERED RAMP DOOR EXTRUSION
- PROSTAB JACKS, TELESCOPING BOX TUBE
- ALUMINUM GRAB HANDLE(RAMP ONLY)
- DT SPOILER, INTEGRATED ROOF AND COVE
- RADIAL TIRES 205 75 R15, SILVER MOD WHEELS
- LED LIGHTING, 2 INTERIOR DOMES
- 36" FLUSH LOCK CURBSIDE DOOR
- CAST ALUMINUM HOLDBACK(SIDE DOOR)
- 3/4" EXTERIOR GRADE PLYWOOD FLOOR
- 16" ON CENTER WALLS AND FLOOR
- 3/8" PLYWOOD WALLS, FULLY TRIMMED
- 6" EXTERIOR FENDER, 2" INTERIOR
- SELF ADJUSTING BRAKES, EZ LUBE HUBS
- 3500# TORSION AXLES, 7000# GVWR

The Specs

Model	Axles	Tongue Ht.	Int. Ht.	Box Length	CS Door	Rear Door
NHD1275TR6	2-3500#	20"	78.5"	12'	36"	82"w X 73.25"H
NHD1475TR6	2-3500#	20"	78.5"	14'	36"	82"w X 73.25"H
NHD1675TR6	2-3500#	20"	78.5"	16'	36"	82"w X 73.25"H
NHD1875TR6	2-3500#	20"	78.5"	18'	36"	82"w X 73.25"H
NHD2075TR6	2-3500#	20"	78.5"	20'	36"	82"w X 73.25"H



PRICE AND SPECIFICATIONS SUBJECT TO CHANGE WITHOUT NOTICE.
 OPTIONS ADDED TO BASE UNITS DECREASE PAYLOAD CAPACITY.

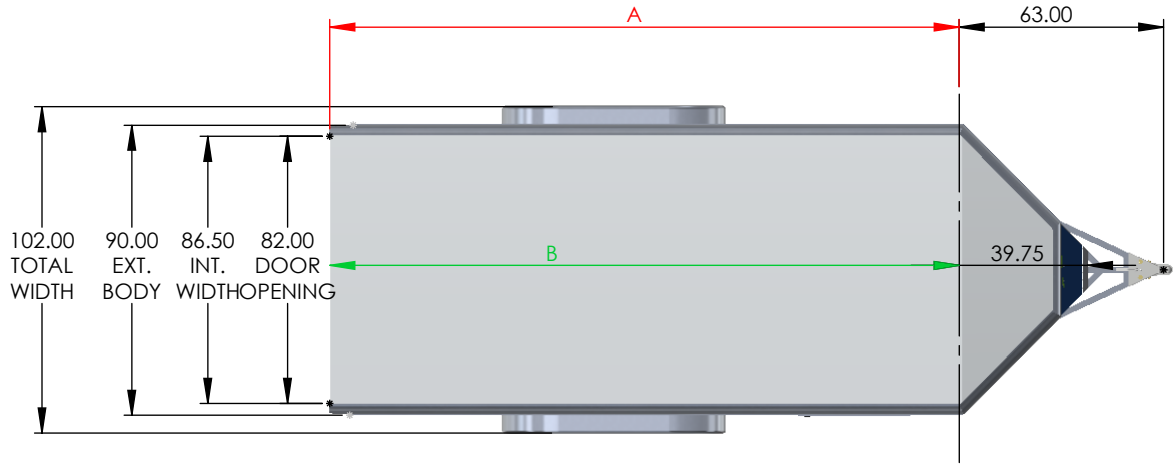
NHD-4
 1.27.24



For Additional Specs & Photos, go to:
neomfg.com

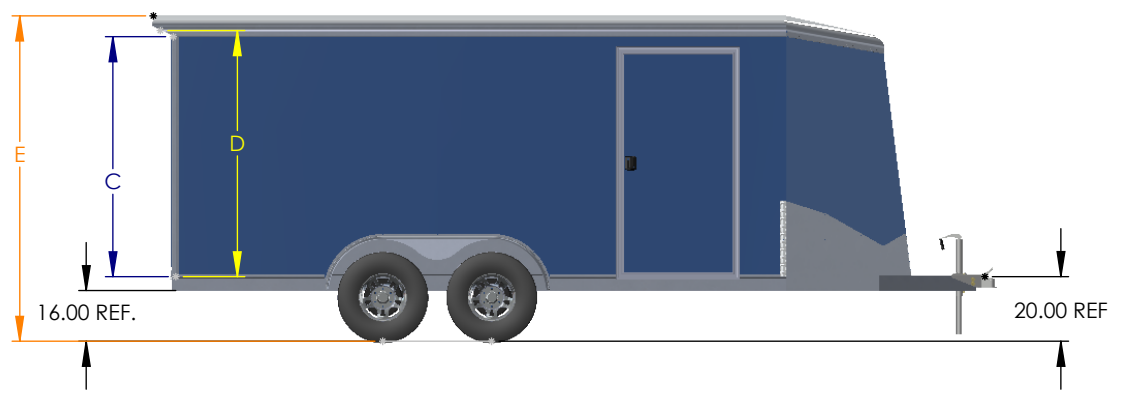
e-mail: sales@neomfg.com
 21900 US 12 Sturgis, MI 49091
 269.503.7630

DISTANCE BETWEEN WHEEL WELLS IS 82"




MODEL	OUTSIDE BOX LENGTH (A)	INSIDE BOX LENGTH (B)
NHD1275TR	144"	142"
NHD1475TR	168"	166"
NHD1675TR	192"	190"
NHD1875TR	216"	214"
NHD2075TR	240"	238"

102.00 TOTAL WIDTH
 90.00 EXT. BODY
 86.50 INT. WIDTH
 82.00 DOOR OPENING



7.5 WIDE ROUND TOP	Rear Door Hgt (C)	Int Hgt @ Center (D)	Overall Hgt (E)
6" Plus Height	73.25"	78.5"	99"
12" Plus Height	79.25"	84.5"	105"



DRAWN BY: TYLER A BOURASSA
 DATE: 4/17/2019

TRAILER MODEL: NHD 7.5 WIDE

TITLE: **TRAILER MEASUREMENTS**

DO NOT SCALE DRAWING